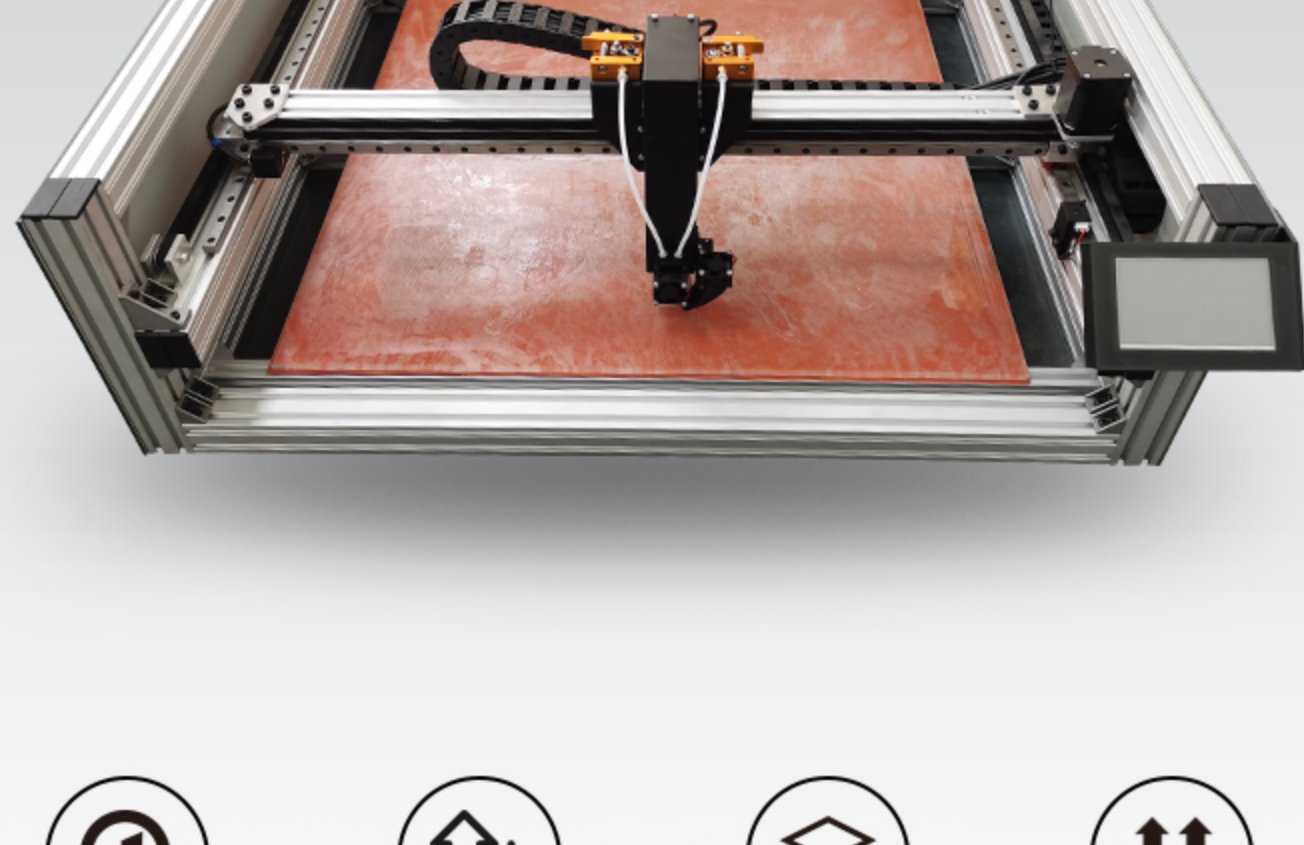


MULTI-FUNCTION ADVERTISING 3D PRINTER

CUSTOMIZED FOR ADVERTISING WORDS



SOFT FILAMENT



LARGE WATTAGE STEPPER MOTOR



AUTO LEVELING



HEATING BED

OVERSIZE MODEL

Build size is large. The model can accept the custom size, the larger size can meet your more printing needs
High cost performance, lower input costs

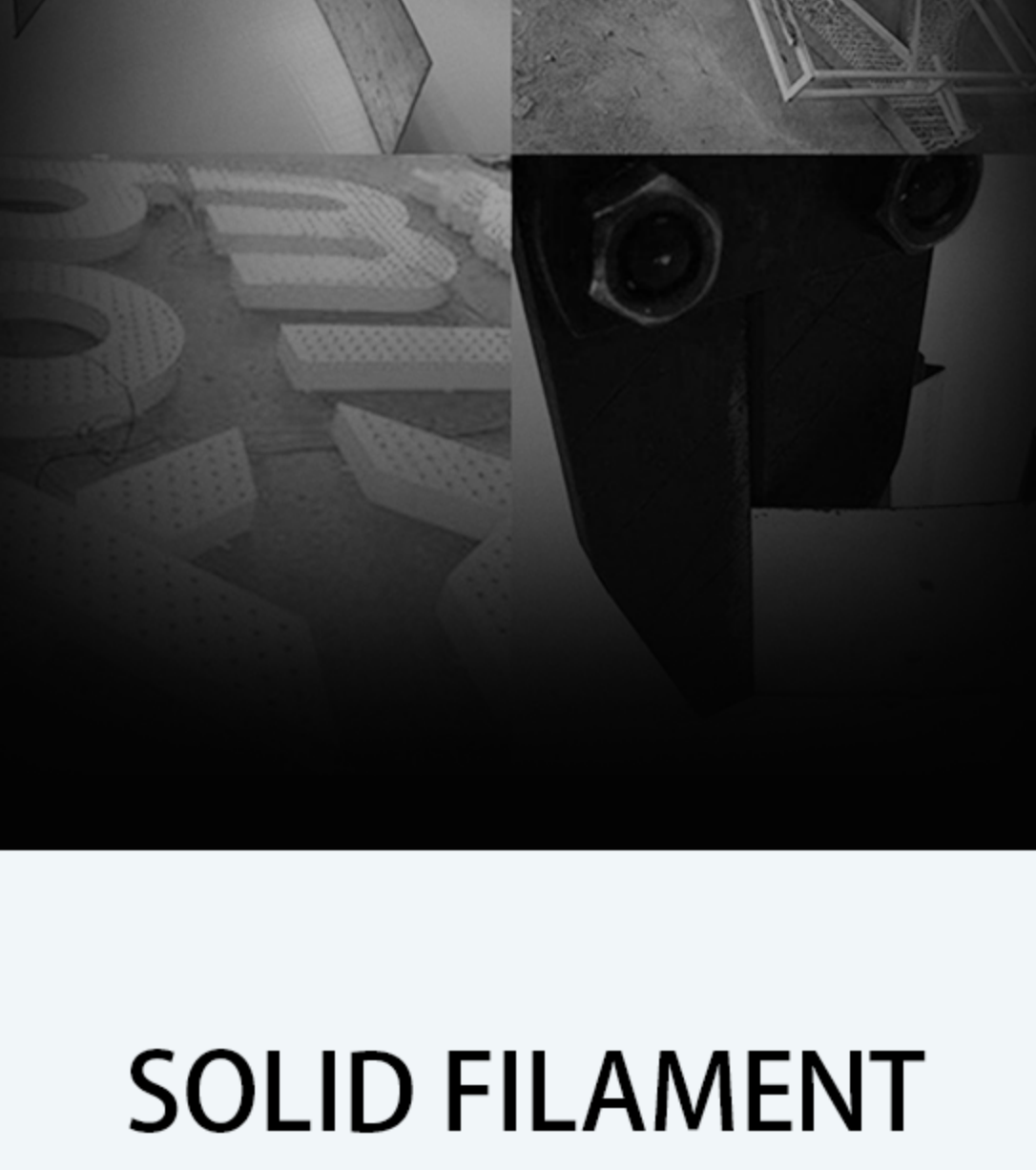
600 X 600 X 200MM
oversize printing

200 hours
continuous work



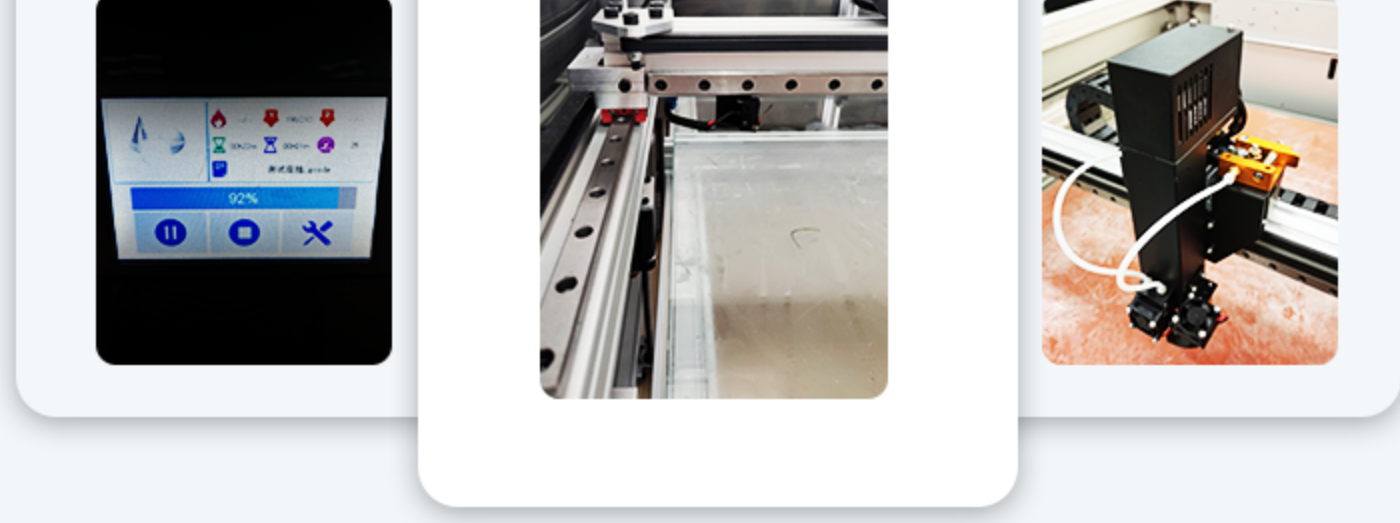
DISRUPT THE TRADITIONAL ADVERTISING INDUSTRY

3D printing advertising word can effectively solve the traditional advertising word manufacturing encountered in the manufacturing process is complex, large limitations
High production cost, long cycle and other problems!



SOLID FILAMENT

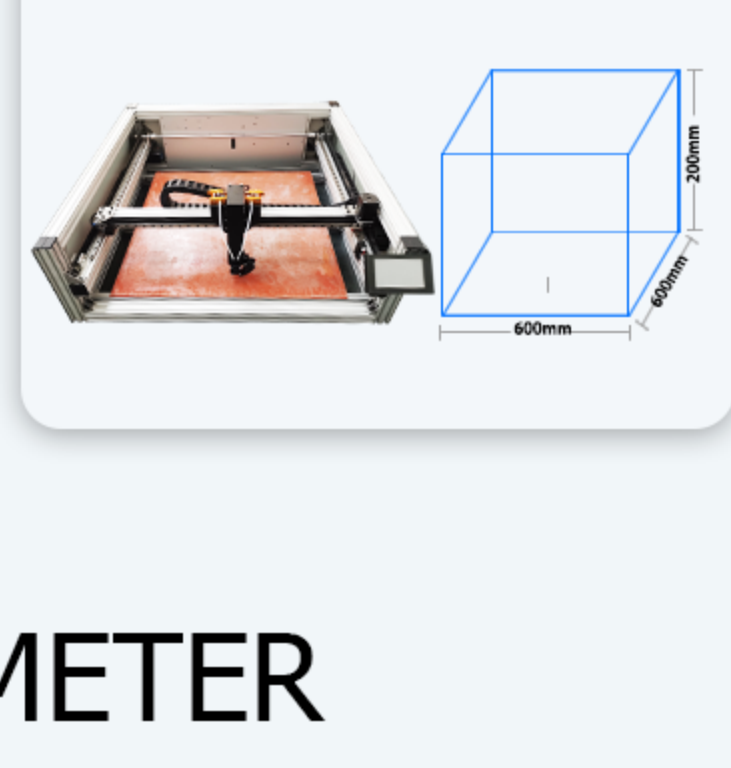
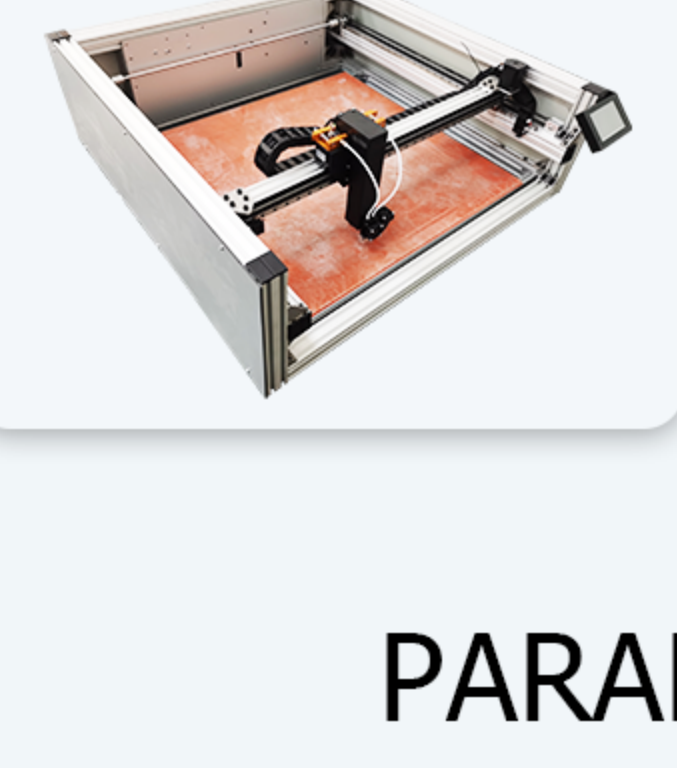
SOLID FILAMENT WILL MEET YOUR DEMAND FOR PRINTING ADVERTISING LETTERS.



01 Print Display



MULTIPLE FUNCTION



PARAMETER

PARAMETER OF 3D PRINTER FOR ADVERTISING LETTERS				
Nozzle size	(Standard) 0.4、0.6、0.8、1.0mm			
Nozzle temp	0-260C			
Heating bed temp	0-100C			
Location accuracy	0.02MM			
Layer height accuracy	0.04-0.6MM			
Printing speed	30-150MM (adjustable)			
Operating interface	Color touch screen			
File format	STL/OBJ/GCODE/JPG			
Filament specification	Common filament with 1.75MM			
Connecting ways	USB/SD Card			
Input power	110/220V			
Function	Auto leveling / filament sensor/ auto resume from power off			
Standard model size				
	G6	G8	G10	G12
Printing area	600*600*85MM	800*800*85MM	1000*1000*85MM	1200*1200*85MM
Machine size	990*910*320MM	1190*1110*320MM	1390*1310*320MM	1590*1510*320MM
Heating platform wattage	900W	1400W	2300W	2800W
Operate wattage	300W	300W	300W	300W

Please consult sales for detailed specifications